

SUMMIT INSERT LE

Insert for heating large spaces

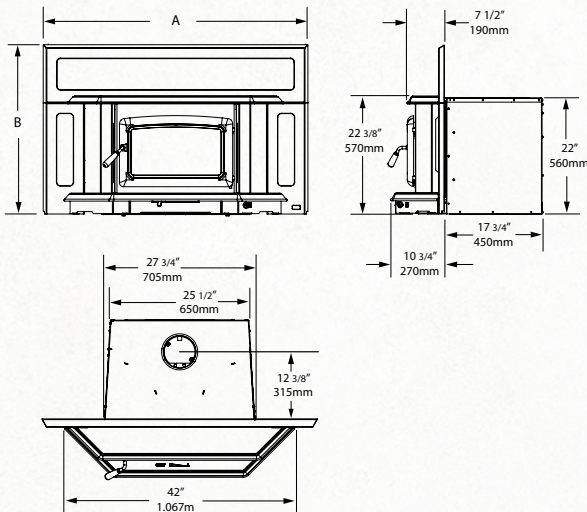
Heat Output Cord Wood

99,000 BTU

41,275 BTU EPA Test Fuel

Efficiency (HHV)	74%
Emissions	1.8 gm/hr.
Log Size (recommended)	18"
Log Size (max)	20"
Firebox Size	3.0 cu.ft.
Glass Viewing Area	153 sq.in.
Weight	465 lb.

For heating large spaces with an existing masonry fireplace, the Summit Insert LE is the solution. The first insert with patented Extended Burn Technology (EBT), the Summit Insert LE provides ten full hours of controlled burning for a full night of wood-heated comfort. An efficient, clean-burning heat source, the Summit Insert LE is easy to light, easy to use, and offers a large window that provides a clear view of the flame. With a variable speed fans, clean-glass airwash technology and heavy-gauge overbuilt construction, the Summit Insert LE will provide many years of comfort and enjoyment.



CATALYTIC-FREE TECHNOLOGY

MORE DURABLE

MORE RELIABLE

EASIER TO OPERATE

EPA 2020 CERTIFIED

2
GRAMS
PER
HOUR
OR LESS

STANDARD FEATURES

- EPA 2020 Certified
- Reliable, Durable Catalytic-Free Technology
- Extended Burn Technology (EBT)
- Air wash system for super clean ceramic glass
- Floating firebox for extended stove life
- 304 Stainless Steel Baffle, insulation cover, rails and flame shield
- Boost air for easy lighting
- Single-Lever Air Control
- Rich Metallic black finish
- Cast iron warming shelf & ash lip
- Inside and outside combustion air capable
- Easy and safe front to back fuel loading
- Two 80 cfm temperature-actuated variable-speed blowers
- North-South loading

DESIGN OPTIONS

- Arched door: choice of three finishes
- Embossed Surround, Standard Size (50" x 32")
- Embossed Surround, Oversize (54" x 34")



For reference only. Installations should be based on installation manuals. Specifications subject to change.