



Cottagewood 42" shown with traditional brick interior and outdoor Grand Oak gas logs

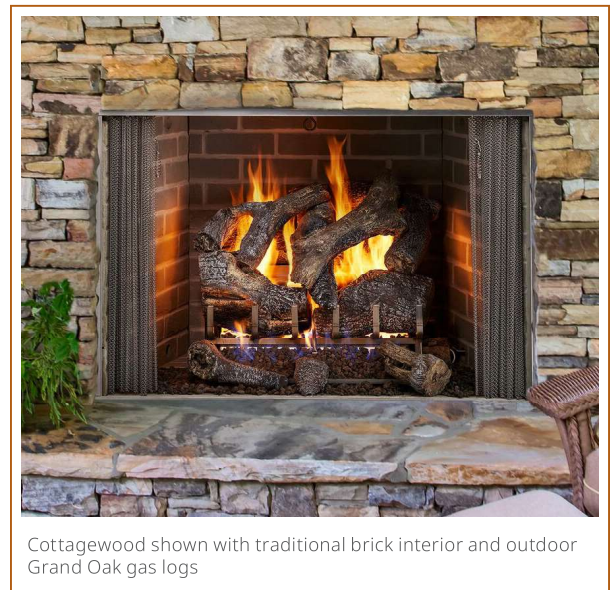
COTTAGEWOOD

OUTDOOR WOOD FIREPLACE

Gather with family and friends around the crackle and aroma of a blazing fire as you take the chill off evenings and extend the outdoor season. The Cottagewood outdoor wood-burning fireplace is weather-proof for long life, while brick-like interior panels help create a nostalgic vibe.

The night comes alive as you stoke a fire, kick back and toast marshmallows. Cozy up around a classic wood burner that's low on upkeep but high on good looks—setting the mood where the best moments begin.

- 36" or 42" wide openings
- Tuckaway stainless-steel screens for open view of flames or to keep sparks in
- Easy damper control for airflow/smoke control on enclosed patios
- Safe on a wood or composite deck with a 20" protective hearth apron
- Mineral Gray traditional or herringbone brick interior panels
- Black painted grate keeps logs in place and burns more efficiently
- Place freestanding or next to an exterior wall



Cottagewood shown with traditional brick interior and outdoor Grand Oak gas logs

Interior Styles



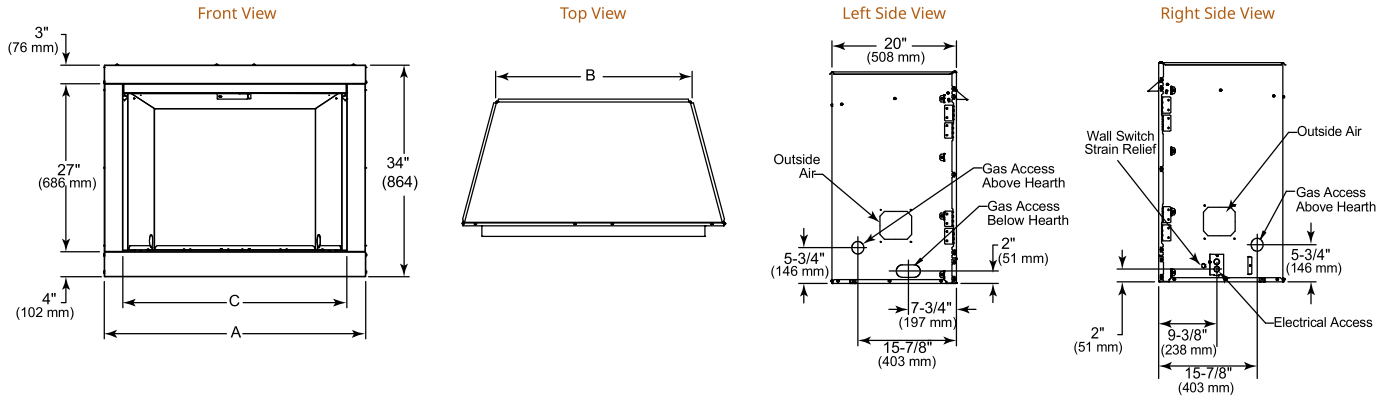
Traditional



Herringbone

VESPER

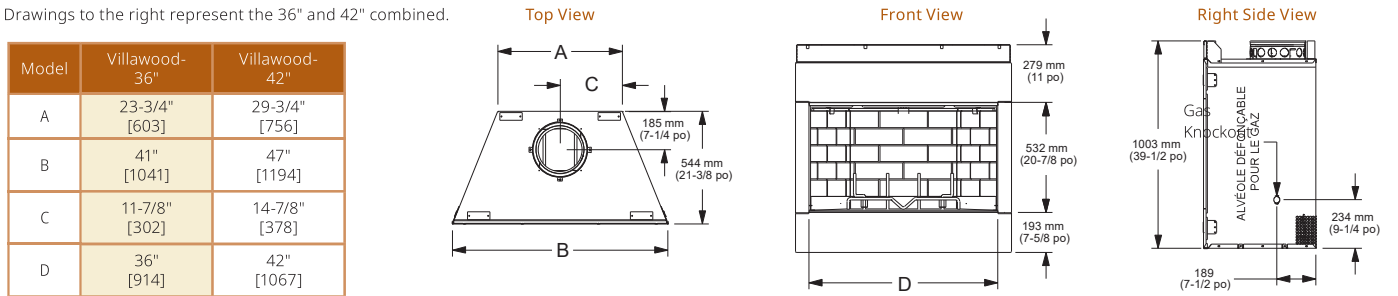
| Model | Front Width A | | Back Width B | | Height | | Depth | | Viewing Area C | BTU/hr Input |
|------------|---------------|-------------------|------------------|-------------------|--------------|------------------|--------------|------------------|---------------------------|--------------|
| | Unit | Framing | Unit | Framing | Unit | Framing | Unit | Framing | | |
| Vesper 36" | 42" [1067] | 42-1/2" [1080] | 31-1/4" [794] | 42-1/2" [1080] | 34" [864] | 34-1/4" [870] | 20" [508] | 19-3/4" [502] | 36" x 27" [914 x 686] | 38,000 |
| Vesper 42" | 48" [1219] | 48-1/2" [1232] | 37-1/4" [946] | 48-1/2" [1232] | 34" [864] | 34-1/4" [870] | 20" [508] | 19-3/4" [502] | 42" x 27" [1067 x 686] | 38,000 |



VILLAWOOD

| Model | Front Width | | Back Width | | Height | | Depth | | Viewing Area |
|---------------|---------------|---------------|------------------|---------------|-------------------|-------------------|------------------|------------------|-------------------------------|
| | Unit | Framing | Unit | Framing | Unit | Framing | Unit | Framing | |
| Villawood-36" | 41" [1041] | 42" [1067] | 23-3/4" [603] | 42" [1067] | 39-1/2" [1003] | 39-3/4" [1010] | 21-3/8" [544] | 21-1/2" [546] | 36" x 20-7/8" [914 x 532] |
| Villawood-42" | 47" [1194] | 48" [1219] | 29-3/4" [756] | 48" [1219] | 39-1/2" [1003] | 39-3/4" [1010] | 21-3/8" [544] | 21-1/2" [546] | 42" x 20-7/8" [1067 x 532] |

Drawings to the right represent the 36" and 42" combined.



COTTAGEWOOD

| Model | Front Width | | Back Width | | Height | | Depth | | Viewing Area |
|-----------------|-------------------|-------------------|------------------|-------------------|-------------------|-------------------|------------------|------------------|-------------------------------|
| | Unit | Framing | Unit | Framing | Unit | Framing | Unit | Framing | |
| Cottagewood-36" | 44-1/2" [1130] | 45-1/2" [1156] | 28-5/8" [727] | 45-1/2" [1156] | 59-1/4" [1505] | 59-3/4" [1518] | 27-1/2" [699] | 28" [711] | 36" x 28-1/2" [914 x 724] |
| Cottagewood-42" | 50-1/2" [1283] | 51-1/2" [1308] | 34-1/2" [876] | 51-1/2" [1308] | 59-1/4" [1505] | 59-3/4" [1518] | 27-1/2" [699] | 28-1/2" [724] | 42" x 28-1/2" [1067 x 724] |

Drawings to the right represent the 36" and 42" combined.

