



Lanai 48" shown with crushed glass firebed

OUTDOOR FIREPLACES

Our innovative products make it easy to extend your living into the outdoors. Think of it as adding a new room to your home—an outdoor living room. See how Outdoor Lifestyles by Hearth & Home Technologies can transform your outdoor space.



Lanai 48" shown with clean face trim and Driftwood Logs

LANAI OUTDOOR GAS FIREPLACE

Light up your landscape with our best and brightest, the Lanai linear outdoor gas fireplace. The night comes alive with glowing flames and a colorful crushed glass firebed reflected in stainless steel as you create a contemporary vibe to your outdoor space.

- Modern linear design in 48", 60" and stunning 48" double-sided models
- LED lighting in eight colors (choose one or cycle) and three intensity levels
- Stainless-steel interior to reflect and magnify the flames
- Durable with rust-resistant, stainless-steel construction
- IntelliFire® ignition system with wall control constantly monitors ignition and ensures safe functioning

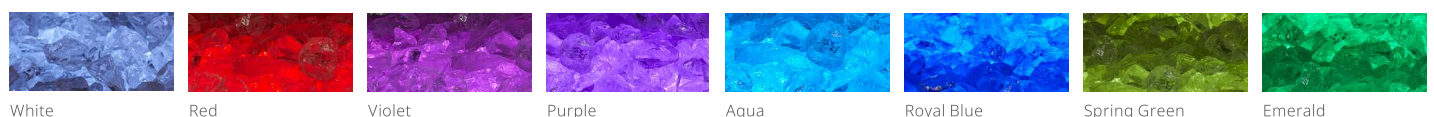
Weatherproof wall control to run your fireplace and change LED colors

- No chimney or venting needed, blends anywhere into your space
- Glass wind guard to keep flame pattern steady and strong

Optional features

- Add a layer of safety with an optional screen to protect and prevent debris from entering the fireplace
- Add optional ceramic stone or driftwood logs for a touch of customization
- Ensure even longer life with a drain pan that moves moisture away from the fireplace

LED Lighting



White

Red

Violet

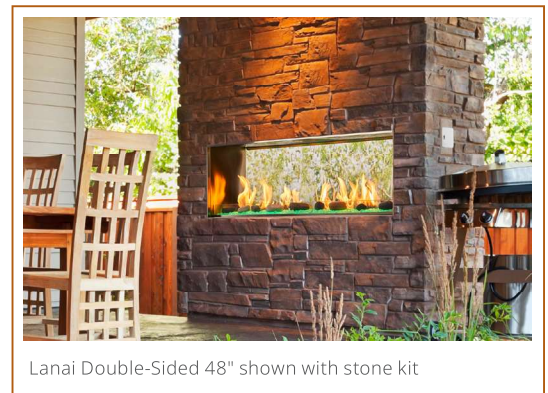
Purple

Aqua

Royal Blue

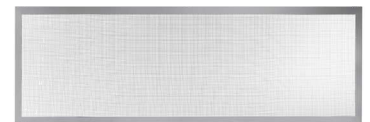
Spring Green

Emerald



Lanai Double-Sided 48" shown with stone kit

Safety Screen



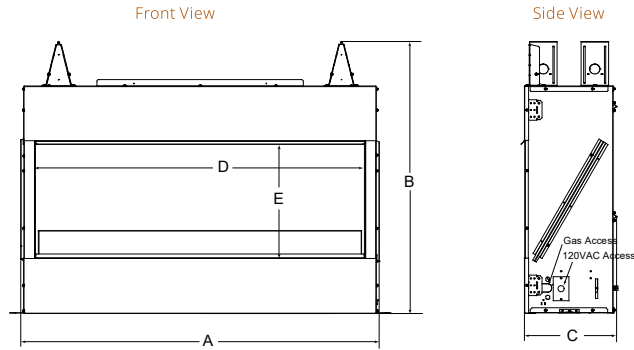
Wall Control



SPECIFICATIONS

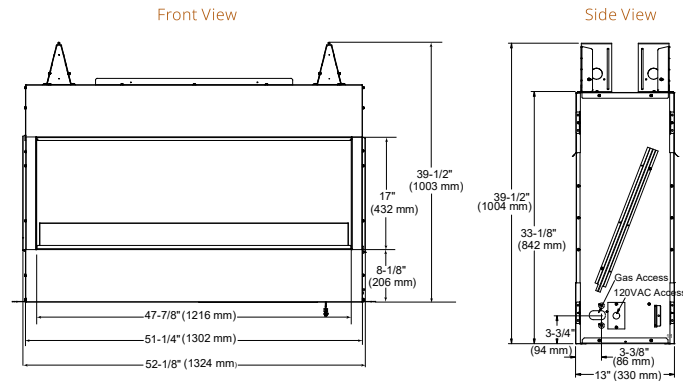
LANAI

Model	Front Width A		Height B		Depth C		Viewing Area D x E	BTU/hr Input
	Unit	Framing	Unit	Framing	Unit	Framing		
Lanai 48"	52-1/8" [1324]	52-3/4" [1340]	39-1/2" [1003]	39-3/4" [1009]	13-3/8" [340]	13-3/8" [340]	47-7/8" x 17" [1216 x 432]	55,000
Lanai 60"	64-1/8" [1629]	64-3/4" [1645]	39-1/2" [1003]	39-3/4" [1009]	13-3/8" [340]	13-3/8" [340]	60" x 17" [1524 x 432]	65,000



LANAI DOUBLE-SIDED

Model	Width		Height		Depth		Viewing Area	BTU/hr Input
	Unit	Framing	Unit	Framing	Unit	Framing		
Lanai See-Through 48"	52-1/8" [1324]	52-3/4" [1340]	39-1/2" [1003]	39-3/4" [1009]	13" [330]	11-5/8" [295]	47-7/8" x 17" [1216 x 432]	55,000



COURTYARD

Model	Front Width A		Back Width B		Height		Depth		Viewing Area	BTU/hr Input
	Unit	Framing	Unit	Framing	Unit	Framing	Unit	Framing		
Courtyard 36"	36" [914]	42-1/2" [1080]	31-1/4" [794]	42-1/2" [1080]	34" [864]	34-1/4" [870]	20" [508]	20-1/4" [514]	36" x 30" [914 x 762]	55,000
Courtyard 42"	42" [1067]	48-1/2" [1232]	37-1/4" [946]	48-1/2" [1232]	34" [864]	34-1/4" [870]	20" [508]	20-1/4" [514]	42" x 30" [1067 x 762]	55,000

