



LIVE-FIRE PIZZA OVEN



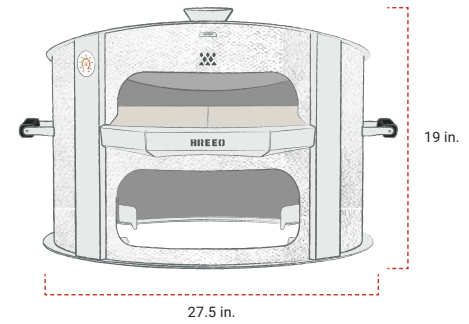
Stainless steel finish



Corten steel finish

- COMES FULLY ASSEMBLED, JUST INSERT PIZZA STONES (2)
- HEAT BYPASS CHIMNEY WITH ADJUSTABLE CHIMNEY VENT

- EXTRA THICK 7/8" PIZZA STONES
- BREED FIRE PIT REQUIRED
- INTEGRATED CUSTOM THERMOMETER MEASURES AIR TEMP IN OVEN



MATERIAL

Corten or Stainless steel finish, Cordierite pizza stone, 304 Stainless steel accents
Made by Breoo® in the USA

INFORMATION

The Breoo Pizza Oven was built to provide you with quick, easy, and stylish ways to create delicious pizzas that taste like they came from a professional pizzeria.

19" high x 27.5" wide, 76 lbs. with pizza stones

DEALER

PRODUCT	SKU
Pizza Oven Corten steel	BR-PI-OVP
Pizza Oven Stainless steel	BR-PI-OV

COMPATIBILITY

Fits on top of Breoo X24¹, X30², or Luxeve® Smokeless Fire Pit

¹ Breoo X24 Fire Pit standard rim only.

² Breoo X30 Fire Pit standard rim only X30 Adapter ring required for use.



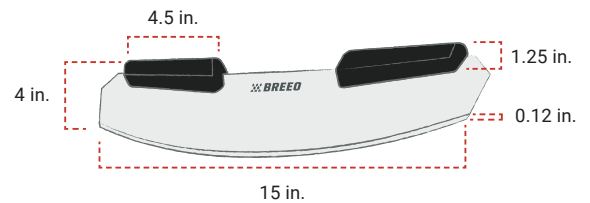


PIZZA ROCKER



- ◆ 15" BLADE ALLOWS SLICING ENTIRE PIZZA IN A SINGLE CUT
- ◆ ERGONOMIC, GLASS-FILLED, NYLON HANDLES FOR COMFORT

- ◆ EXTRA-THICK, STAINLESS STEEL BLADE
- ◆ DISHWASHER SAFE



MATERIAL

304 Stainless steel blade
Glass-filled nylon handles
Made in China

INFORMATION

The Breed Pizza Rocker slices pizza perfectly with an extra-thick, stainless steel design, glass-filled nylon handles, and an edge that cuts with authority. Designed to elevate your pizza making experience, just one cut of the Pizza Rocker and you'll feel the difference comfortable handles and crisp cutting action makes as you serve up perfect slice after perfect slice.

DEALER

PRODUCT	SKU
Pizza Rocker	BR-PI-RO

USE & CARE

Dishwasher safe and weather resistant through all seasons, but best when cleaned with soap and hot water. Barkeepers Friend or SOS pad can be used to remove more stubborn dirt.



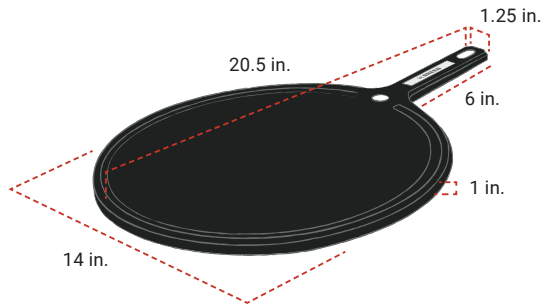


SERVING BOARD



- ◆ HIGH-QUALITY, DURABLE HDPE CONSTRUCTION
- ◆ INCLUDES EDGE GROOVE TO TRAP GREASE AND OILS

- ◆ CUTTING SURFACE AND SERVING TRAY
- ◆ DISHWASHER SAFE



MATERIAL

HDPE
Stainless steel
Made by Breeo® in the USA

INFORMATION

Breeo's sleek and versatile Serving Board is an all-in-one cutting surface and serving tray. Durable and easy to clean, the Serving Board completes your live-fire cooking presentation with an edge groove on one side that traps oil and grease while its smooth side is perfect for prep work.

Pair it with Breeo's Outrig™ Post and Tri-Hook accessories to maximize your fireside efficiency and elevate your presentation.

DEALER

PRODUCT	SKU
Serving Board	BR-PI-BO

USE & CARE

Dishwasher safe and weather resistant through all seasons, but best when cleaned with soap and hot water. Barkeepers Friend or SOS pad can be used to remove more stubborn dirt.





PIZZA PEEL



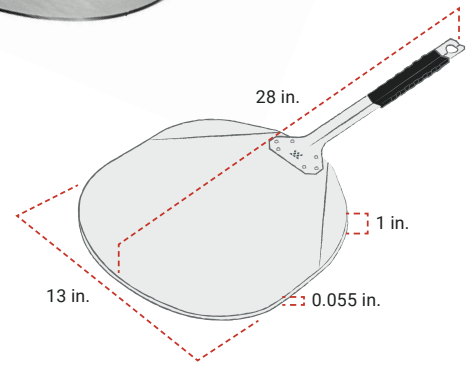
◆ LIGHTWEIGHT CONSTRUCTION

◆ COMFORTABLE HIGH-TEMP SILICONE GRIP

◆ BEVELED EDGE ON PEEL BLADE

◆ WEATHER RESISTANT

◆ COMPATIBLE WITH OUTRIG POST AND TRI-HOOK ACCESSORIES



MATERIAL

Aluminum peel blade, Silicone grip, Stainless steel handle
Made in China

INFORMATION

Maneuver your pizza like a pro with the Breeo Pizza Peel. Designed with the perfect combination of style and functionality, it can slip under pizzas seamlessly while being sturdy enough for the most loaded pies. Using the Breeo Pizza Peel means you can prep, launch, rotate, and remove your pizza with ease, while its heat-resistant silicone grip gives you full control of your cook every time.

DEALER

PRODUCT	SKU
Pizza Peel	BR-PI-PE

USE & CARE

Weather resistant through all seasons.
Clean with soap and hot water.
Barkeepers Friend or SOS pad can be used to remove more stubborn dirt





PIZZA OVEN COVER



- ◆ PROTECT YOUR PIZZA OVEN
- ◆ WATER RESISTANT FABRIC
- ◆ BOTTOM DRAWSTRING TO ENSURE SNUG FIT
- ◆ SIDE OPENINGS KEEP THE PIZZA OVEN HANDLES ACCESSIBLE

MATERIAL

Top: Carbon black and white, laminated: breathable film and weft knitted fabric. UV stabilized
 ≥8000 mm H2O Hydrostatic Head rating (HH)

Side: Gray and white, polyester with PU coating. UV stabilized
 ≥500 mm H2O Hydrostatic Head rating (HH)
 Made in China

INFORMATION

Leave your pizza oven in the elements with extra piece of mind. The Breoo Pizza oven Cover is designed with water resistant weft knitted fabric to add an extra layer of protection to your pizza oven and keep its aesthetic perfection.

DEALER

PRODUCT	SKU
Pizza Oven Cover	BR-PI-CO

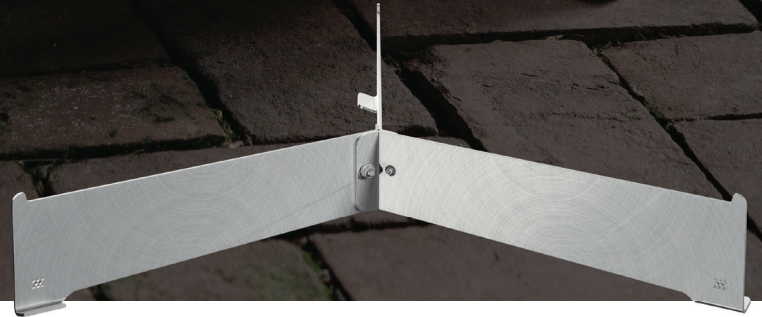
USE & CARE

Once the oven is cool to the touch you can slide the cover on top, lining up the opening on the sides with the pizza oven handles. Only compatible with Breoo Pizza Oven.





PIZZA OVEN BASE



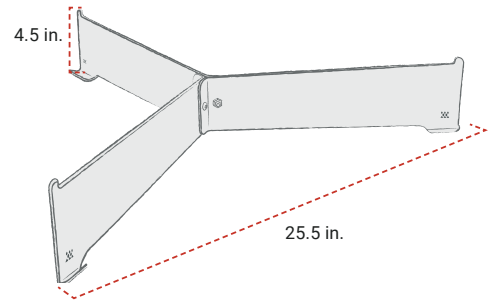
◆ ELEVATES PIZZA OVEN OFF TEMPERATURE SENSITIVE SURFACES

◆ OUTSIDE NOTCHES ENSURES PIZZA OVEN STAYS CENTERED ON THE BASE

◆ OUTDOOR SAFE

◆ NON-MARKING FEET PROTECT SURFACES FROM SCRATCHING

◆ WEATHER RESISTANT



MATERIAL

304 Stainless steel
Made by Breeo® in the USA

INFORMATION

The Breeo Pizza Oven Base offers a safe solution for pizza oven storage after a night of pizza making. Made out of thick gauge 304 stainless steel and with durable design, this is the perfect solution to securely rest your pizza oven once you're ready to get the fire going.

DEALER

PRODUCT	SKU
Pizza Oven Base	BR-PI-SSBA

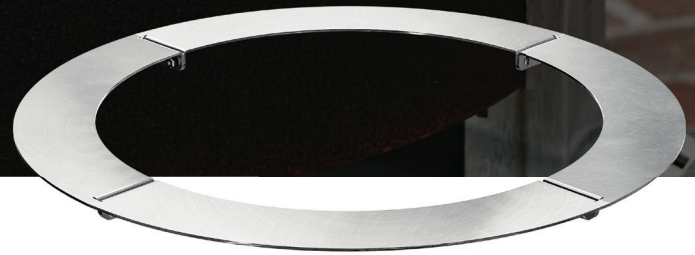
USE & CARE

Assembly required. Always place the Pizza Oven Base on a clear, flat surface away from the flow of traffic where it may be disturbed. Clean with soap and hot water, bar keepers friend etc.



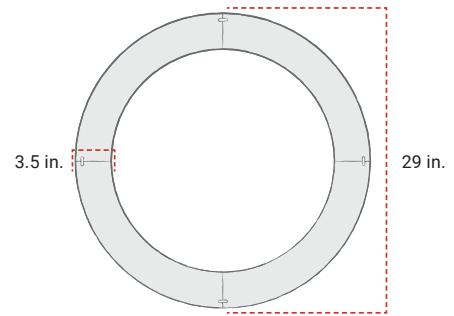


PIZZA OVEN ADAPTER X30



- ◆ SECURELY MOUNT THE BREEO PIZZA OVEN ON X30 FIRE PIT
- ◆ DESIGNED TO HANDLE THE HIGH HEAT OF LIVE-FIRE COOKING

- ◆ WEATHER RESISTANT
- ◆ FITS THE X30 STANDARD RIM FIRE PITS



MATERIAL

304 Stainless steel
Made by Breeo® in the USA

INFORMATION

When paired with the Live-Fire Pizza Oven, The X30 Adapter ring allows you to transform your Breeo X30 Fire Pit into a professional pizza making machine.

Just place centered and flush on top of your fire pit rim and you are ready for the pizza oven. The X30 Adapter ring allows you to harness the heat source of an X30 Fire Pit and use it for cooking pizzas with ease.

DEALER

PRODUCT	SKU
Pizza Oven Adapter X30	BR-PI-ADX3

USE & CARE

Assemble the Adapter and center the Adapter ring above the fire pit then set down on the interior of the fire pit rim. Notches on the underside of the Adapter ring allow it to be guided to the proper mounting position. Once the ring is resting securely flush to the rim, the Pizza Oven can be mounted on top.

