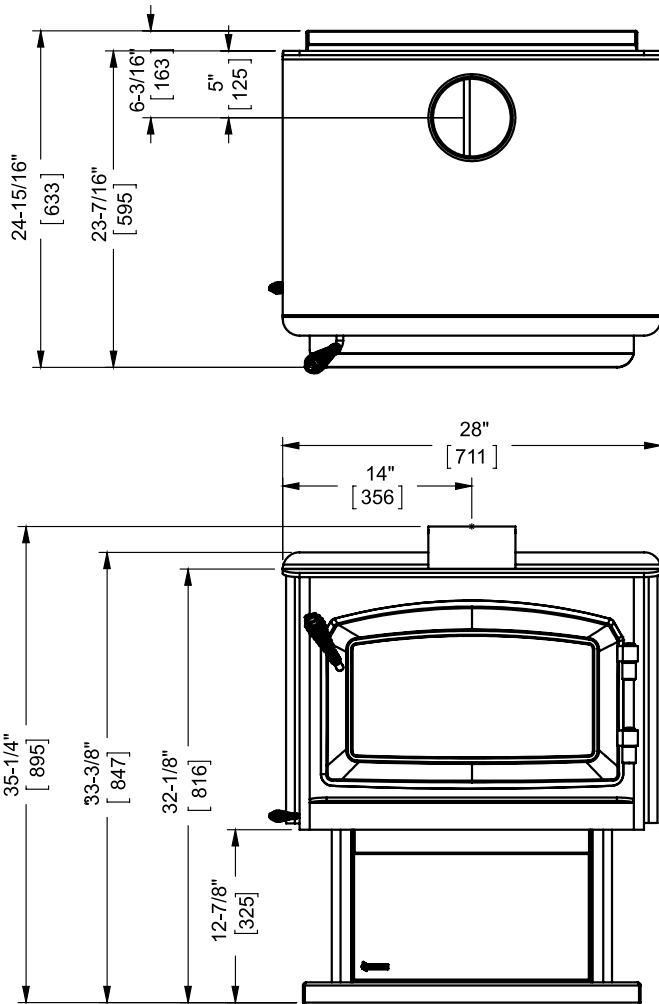


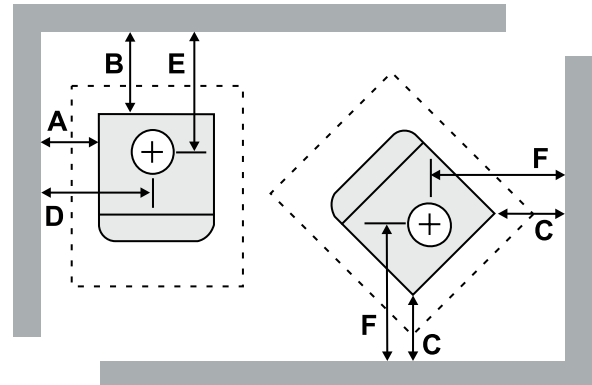
F3100 Large Stove



Minimum Clearance To Combustible Materials

Please read the section below carefully as clearances depend on whether the airmate or the rear heat deflector is installed on the stove.

Measurements "From Unit" are from the top plate of the stove to a side wall or to a corner, and from the rear heat shield to a back wall.



Residential Installation "C" Vent (Single Wall)						
Unit	From Unit		From Corner		From Vent centerline	
	A	B	C	D	E	F
F3100						
with Airmate	18"	12"	8.5"	32"	18.5"	22"
with Rear Deflector	20"	14"	10.5"	34"	20.5"	24"

F3100 Wood Stove

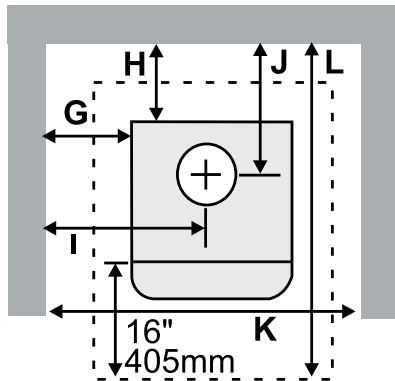
Residential Close Clearance (To be installed with required pipe components) When the stove is installed as a close clearance residential unit, a listed double wall connector is required from the stove collar to the ceiling level.						
Unit	From Unit		From Corner		From Vent centerline	
	A	B	C	D	E	F
F3100						
with Airmate	16"	9.5"	8.5"	30"	16"	22"
with Rear Deflector	20"	12"	8.5"	34"	18.5"	22"

Mobile Home Close Clearance (To be installed with required pipe components) *C" Vent single wall pipe is not approved for Mobile Home installations. (Refer to mobile home instructions.)						
Unit	From Unit		From Corner		From Vent centerline	
	A	B	C	D	E	F
F3100						
with Airmate	18"	9.5"	10"	32"	16"	23.5"
with Rear Deflector	20"	12"	10"	34"	18.5"	23.5"

Minimum Alcove Clearance To Combustible Materials

Regency Freestanding models have been alcove approved and must be installed with a listed double wall connector to the ceiling level.

Note: Minimum alcove ceiling height - 84"
Maximum depth of alcove - 36"



Unit	From Unit		From Vent centerline		Min. Width	Min. Hearth to Rear Wall
	G	H	I	J	K	L
F3100						
with Airmate	16"	9.5"	30"	16"	60"	46.5"
with Rear Deflector	*	*	*	*	*	*

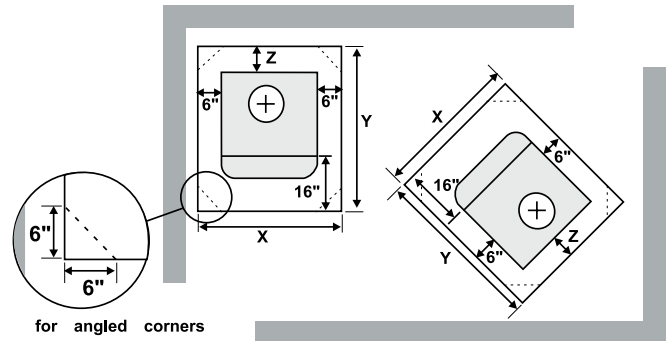
* not approved for Alcove.

Floor Protection

A combustible floor must be protected by a non-combustible material (like tile, concrete board, or certified to UL-1618 or as defined by local codes) extending beneath the heater and a minimum of 6" from each side and minimum 16" from the front face of the stove and minimum 6" (or the rear clearance to combustibles whichever is smaller) from the rear of the stove.

Minimum Overall Width (X) of Floor Protector for all installations:

Large Stove F3100 42"



* US measurements shown

NOTE: In Canada, floor protection must extend 18" to the front and 8" to each side of the stove.

Minimum Overall Depth (Y) of Floor Protector								
Unit	Residential "C" Vent		Residential Close Clearance		Mobile Home Close Clearance		Alcove	
	Y	Z	Y	Z	Y	Z	Y	Z
F3100								
with Airmate	43"	6"	43"	6"	43"	6"	43"	6"
with Rear Deflector	43"	6"	43"	6"	43"	6"	N/A	N/A